

User's Manual

Edifier Enterprises Canada Inc.
 Designed and Engineered in Canada

WARNING

To reduce the risk of electric shock, Do not expose this apparatus to rain or moisture.

Notice

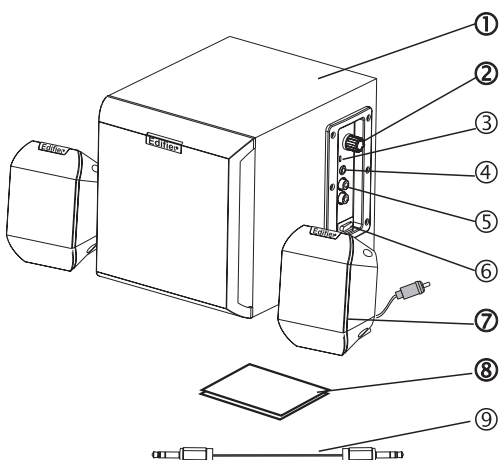
Edifier and Edifier logo are owned by Edifier Enterprises Canada Inc. and may be registered. And other brand names and trademarks are the property of their owners.

1 Overview

Welcome !

Very thanks for choosing Edifier multimedia speaker, it can provide good sound for multimedia computer and home theater. Before operating the system, please read this manual thoroughly and retain it for future reference.

Overview



- | | |
|--|-------------------|
| 1. Sub Woofer | 2. Volume Control |
| 3. Bass Adjusting Switch | 4. Line In Port |
| 5. Speaker Out Splint | 6. Power Switch |
| 7. Satellite Speakers (left and right) | 8. User's Manual |
| 9. Audio connecting cord | |

2 Operating

Operating

1、CONNECTING

Connect the satellite speakers to the output RCA on the back panel of the Sub-woofer. Please note to match the color, red to red and white to white.

2、Connect the subwoofer to the Audio device.

Using Audio connecting cord, connect the Line-input port of the subwoofer to Line-out of the Audio Device (Such as the computer, Discman, etc).

3、Playing the audio device

Plug the AC power plug into the wall outlet and turn on the power switch, Now your speaker system is ready for Use.

Adjusting the volume control and Bass adjusting switch, then you can enjoy the music.

SPECIFICATIONS

Total Power Output :	RMS 2.5W x 2 + 5W(THD=10%)
Input Impedance:	10K Ohm
Input Sensitive:	450 mV
Bass Unit:	4" Aluminum coil, 4 Ohm
Tweeter Unit:	2 3/4" Paper coil, 4 Ohm
Dimension(Subwoofer):	191(W) x 183(H) x 222(D)mm
Dimension(Satellite):	83(W) x 108(H) x 80(D)mm
Gross Weight:	About 3.1 Kg

Notice

Edifier assumes no responsibility for any errors that may appear in this manual. Information contained herein is subject to change without notice.



User's Manual

Edifier Enterprises Canada Inc.
 Designed and Engineered in Canada

WARNING

To reduce the risk of electric shock, Do not expose this apparatus to rain or moisture.

Notice

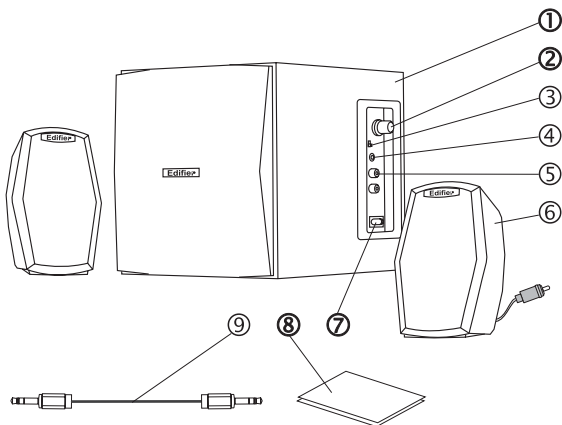
Edifier and Edifier logo are owned by Edifier Enterprises Canada Inc. and may be registered. And other brand names and trademarks are the property of their owners.

1 Overview

Welcome !

Very thanks for choosing Edifier multimedia speaker, it can provide good sound for multimedia computer and home theater. Before operating the system, please read this manual thoroughly and retain it for future reference.

Overview



- 1 Sub Woofer
- 2 Volume Control
- 3 Bass Adjusting Switch
- 4 Line In Port
- 5 Speaker Out
- 6 Satellite Speakers
- 7 Power Switch
- 8 User's Manual
- 9 Audio connecting cord

2 Operating

Operating

1、CONNECTING

Connect the satellite speakers to the output RCA on the back panel of the Sub-woofer. Please note to match the color, red to red and white to white.

2、Connect the subwoofer to the Audio device.

Using Audio connecting cord, connect the Line-input port of the subwoofer to Line-out of the Audio Device (Such as the computer, Discman, etc).

3、Playing the audio device

Plug the AC power plug into the wall outlet and turn on the power switch, Now your speaker system is ready for Use.

Adjusting the volume control and Bass adjusting switch, then you can enjoy the music.

SPECIFICATIONS

Total Power Output :	RMS 4W x 2 + 10W(THD=10%)
Input Impedance:	10K Ohm
Input Sensitive:	520 mV
Bass Unit:	5" Aluminum coil, 4 Ohm
Tweeter Unit:	2 3/4" Paper coil, 4 Ohm
Dimension(Subwoofer):	200(W) x 192(H) x 220(D)mm
Dimension(Satellite):	98(W) x 142(H) x 100(D)mm
Gross Weight:	About 3.7 Kg

Notice

Edifier assumes no responsibility for any errors that may appear in this manual. Information contained herein is subject to change without notice.



WARNING

To reduce the risk of electric shock, Do not expose this apparatus to rain or moisture.

Notice

Edifier and Edifier logo are owned by Edifier Enterprises Canada Inc. and may be registered. And other brand names and trademarks are the property of their owners.

User's Manual

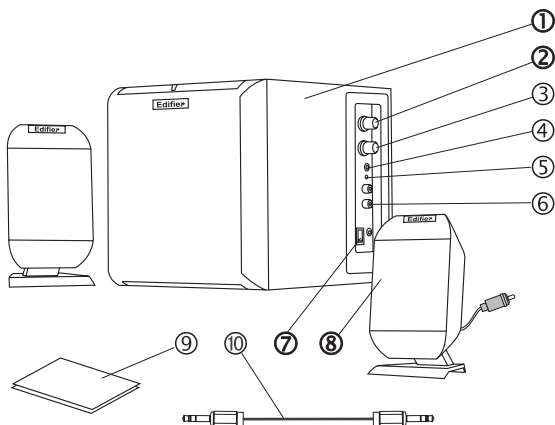
Edifier Enterprises Canada Inc.
Designed and Engineered in Canada

1 Overview

Welcome !

Very thanks for choosing Edifier multimedia speaker, it can provide good sound for multimedia computer and home theater. Before operating the system, please read this manual thoroughly and retain it for future reference.

Overview



- | | |
|-------------------|--------------------------|
| 1 Sub Woofer | 2 Volume Control |
| 3 Bass Control | 4 Line In Port |
| 5 Power Indicator | 6 Speaker Out |
| 7 Power Switch | 8 Satellite Speakers |
| 9 User's Manual | 10 Audio connecting cord |

2 Operating

Operating

1、CONNECTING

Connect the satellite speakers to the output RCA on the back panel of the Sub-woofer. Please note to match the color, red to red and white to white.

2、Connect the subwoofer to the Audio device.

Using Audio connecting cord, connect the Line-input port of the subwoofer to Line-out of the Audio Device (Such as the computer, Discman, etc).

3、Playing the audio device

Plug the AC power plug into the wall outlet and turn on the power switch, Now your speaker system is ready for Use.

Adjusting the volume control and Bass control, then you can enjoy the music.

SPECIFICATIONS

Total Power Output :	RMS 6W x 2 + 12W(THD=10%)
Input Impedance:	10K Ohm
Input Sensitive:	450 mV
Bass Unit:	5.5" Aluminum coil, 4 Ohm
Tweeter Unit:	2 3/4" Paper coil, 4 Ohm
Dimension(Subwoofer):	221(W) x 207(H) x 249(D)mm
Dimension(Satellite):	84(W) x 158(H) x 85(D)mm
Gross Weight:	About 5.1 Kg

Notice

Edifier assumes no responsibility for any errors that may appear in this manual. Information contained herein is subject to change without notice.



User's Manual

Edifier Enterprises Canada Inc.
Designed and Engineered in Canada

WARNING

To reduce the risk of electric shock, Do not expose this apparatus to rain or moisture.

Notice

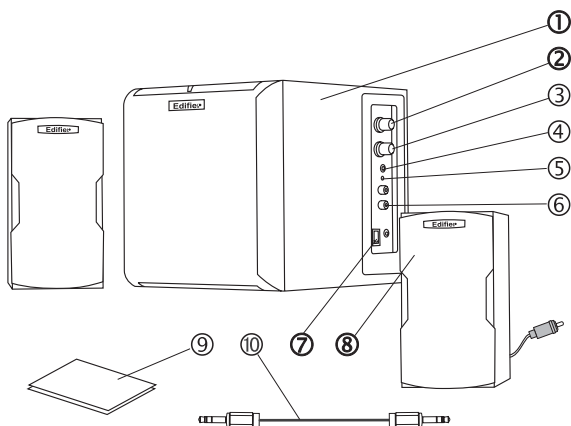
Edifier and Edifier logo are owned by Edifier Enterprises Canada Inc. and may be registered. And other brand names and trademarks are the property of their owners.

1 Overview

Welcome !

Very thanks for choosing Edifier multimedia speaker, it can provide good sound for multimedia computer and home theater. Before operating the system, please read this manual thoroughly and retain it for future reference.

Overview



- | | |
|-------------------|--------------------------|
| 1 Sub Woofer | 2 Volume Control |
| 3 Bass Control | 4 Line In Port |
| 5 Power Indicator | 6 Speaker Out |
| 7 Power Switch | 8 Satellite Speakers |
| 9 User's Manual | 10 Audio connecting cord |

2 Operating

Operating

1、CONNECTING

Connect the satellite speakers to the output RCA on the back panel of the Sub-woofer. Please note to match the color, red to red and white to white.

2、Connect the subwoofer to the Audio device.

Using Audio connecting cord, connect the Line-input port of the subwoofer to Line-out of the Audio Device (Such as the computer, Discman, etc).

3、Playing the audio device

Plug the AC power plug into the wall outlet and turn on the power switch, Now your speaker system is ready for Use.

Adjusting the volume control and Bass control, then you can enjoy the music.

SPECIFICATIONS

Total Power Output :	RMS 6W x 2 + 12W(THD=10%)
Input Impedance:	10K Ohm
Input Sensitive:	450 mV
Bass Unit:	5.5" Aluminum coil, 4 Ohm
Tweeter Unit:	3" Paper coil, 4 Ohm
Dimension(Subwoofer):	221(W) x 207(H) x 249(D)mm
Dimension(Satellite):	91(W) x 173(H) x 116(D)mm
Gross Weight:	About 6 Kg

Notice

Edifier assumes no responsibility for any errors that may appear in this manual. Information contained herein is subject to change without notice.